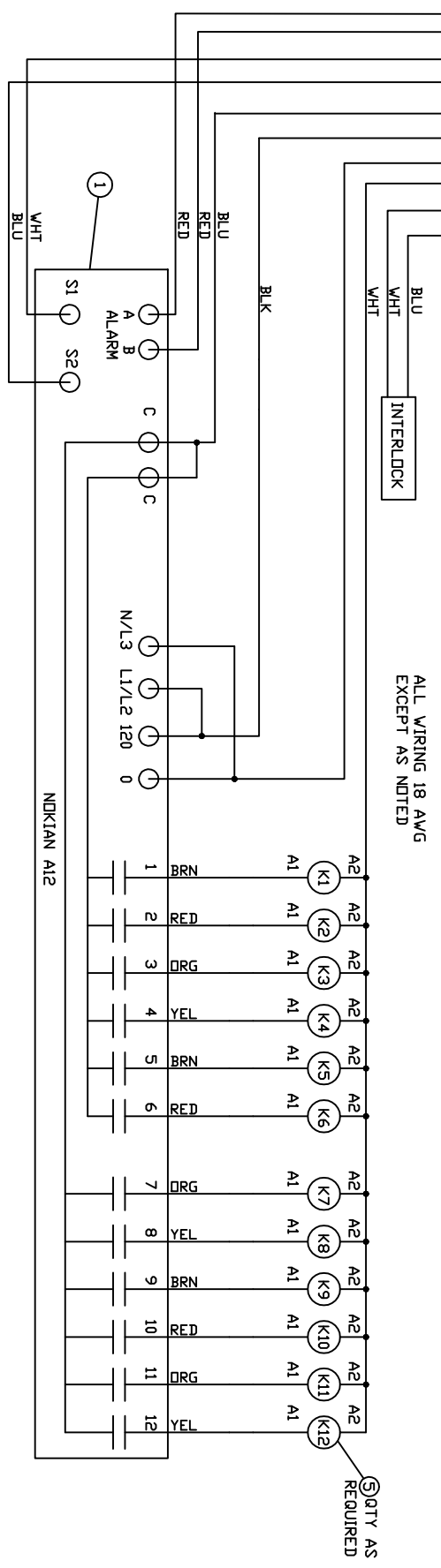
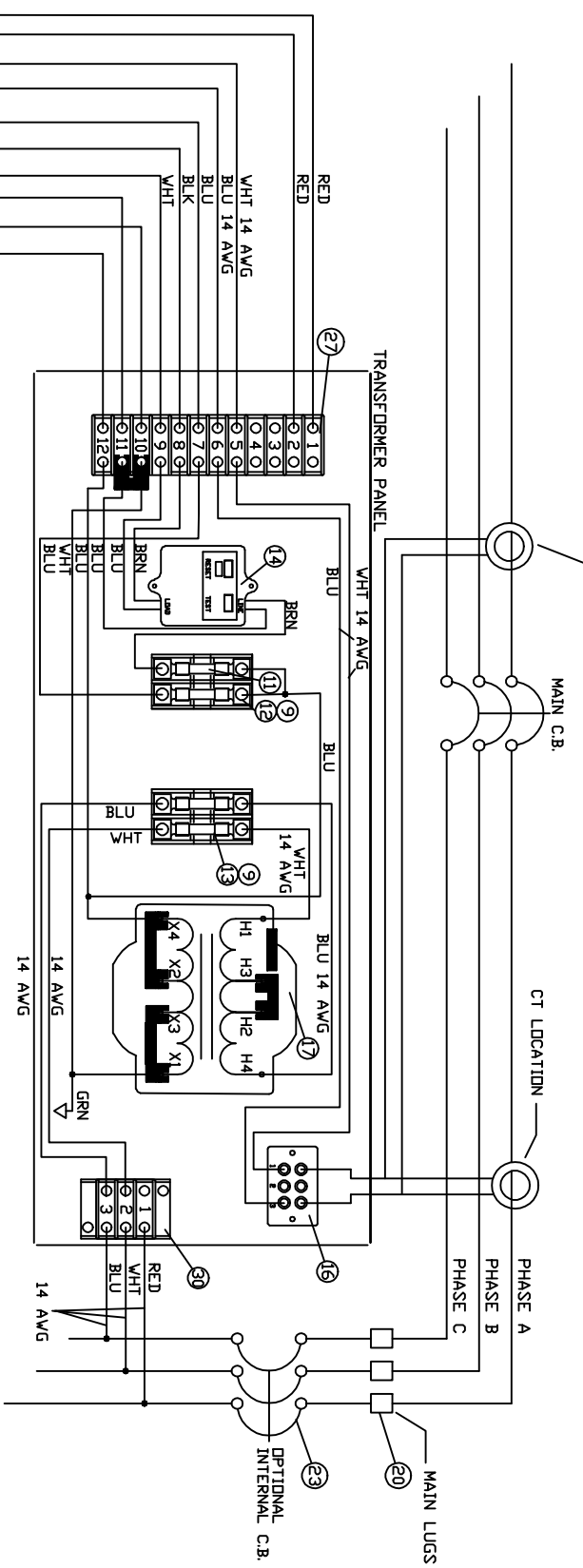
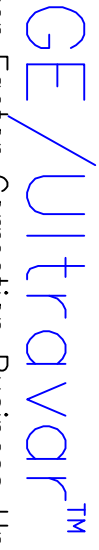


DWG. NO.	REV.	LTR	REVISION	BY	DATE	APPR
DWG-AVC-CTL-FN00	B	B	ROTATED FUSE BLOCK	DPK	03/21/00	DPK



TOL'S UNLESS OTHERWISE SPEC.	DRAWN BY	DATE	TITLE:	SCALE	SHEET	DF	DWG. NO.	REV.
.000 ±	MH	4/14/07	CONTROL DRAWING	NONE	1	1	DWG. NO.	B
FRACTIONAL ±	CHECKED BY	DATE						
ANGULAR ± 0°30'	RRY	4/14/07						
	APPROVED BY	DATE						
	RRY	4/14/07						
	CAD SYS. NO.							
	INTERNAL							



Power Factor Correction Business Unit
381 Broadway, Fort Edward, New York 12828 USA