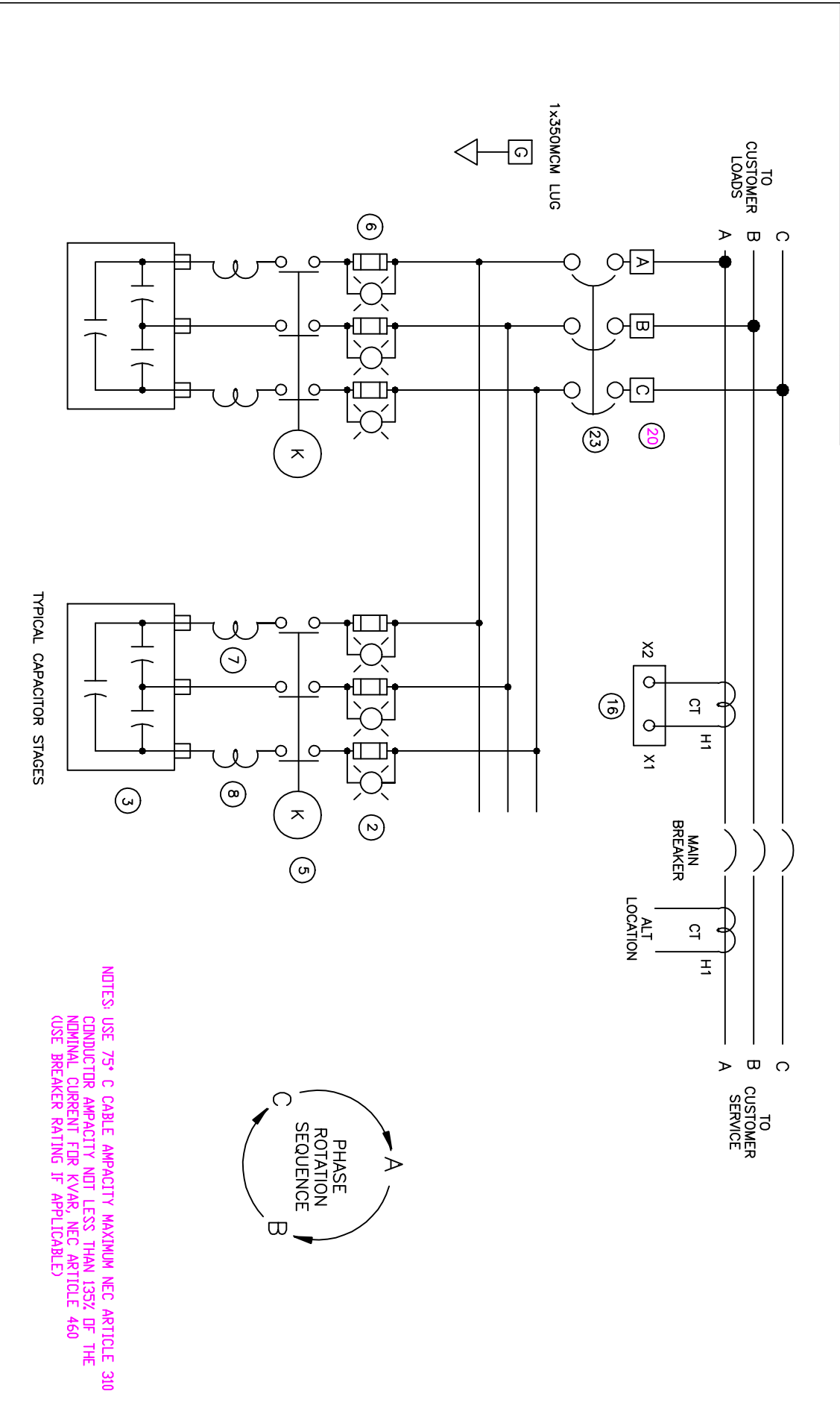


DWG. NO. REV. A
 DWG-PWR-PL-BLSA

LTR	REVISION	BY	DATE	APPR
A	ORIGINAL ISSUE	RRY	1/12/00	RRY



TOL'S UNLESS OTHERWISE SPEC.
 .000 ±
 .00 ±
 FRACTIONAL ±
 ANGULAR ± 0°30'

DRAWN BY MH DATE 4/14/07
 CHECKED BY RRY DATE 4/14/07
 APPROVED BY RRY DATE 4/14/07
 CAD SYS. NO. INTERNAL

TITLE: POWER DRAWING

SCALE NONE SHEET 1 OF 1

DWG. NO. A

Power Factor Correction Business Unit
 381 Broadway, Fort Edward, New York 12828 USA

GE/ULtravAr™

REV. A

DISTR. TO A503

NOTES: USE 75° C CABLE AMPACITY MAXIMUM NEC ARTICLE 310
 CONDUCTOR AMPACITY NOT LESS THAN 135% OF THE
 NOMINAL CURRENT FOR KVAR, NEC ARTICLE 460
 (USE BREAKER RATING IF APPLICABLE)