

# ICS

180 KVAR maximum at 240 volts  
600 KVAR maximum at 480 and 600 volts

## Design

ICS heavy duty power factor correction assemblies are industrial rated, metallized electrode, rack mounted (industry standard 13.5" wide) premium grade capacitors. As an option they are available with a true-loss-of-KVAR feature; consult the factory for details concerning this feature.

## Features

### Capacitor Life

Each ICS assembly provides sufficient air space between the MMP style capacitor(s) to allow convection cooling of the cells. This reduces heat transfer and enhances capacitor life. MMP capacitors have a field proven 20 year continuous duty life expectancy.

### Capacitor Unit

The ICS single cell enclosure is 18 gauge jig-welded steel. Each assembly is painted with a UL listed ANSI #70 light gray corrosion-resistant paint for indoor or outdoor placement. Each capacitor cell is hermetically sealed. Each capacitor multi-cell assembly is supported by a jig welded, heavy steel angle frame with a grounding lug attached. It is suitable for indoor and outdoor use, either floor, ceiling or wall mounted.

### Indicating Lights (Optional)

Blown fuse or "Loss-of-KVAR" neon indicating lights are an available option. A glowing light indicates blown fuse or loss-of-KVAR.

### Fuses

Each capacitor assembly has three indicating type 600 volt fuses with an interrupting capacity of 200,000 amps. UL and CSA listed assemblies are also available with no fuses.

### Environmental Parameters

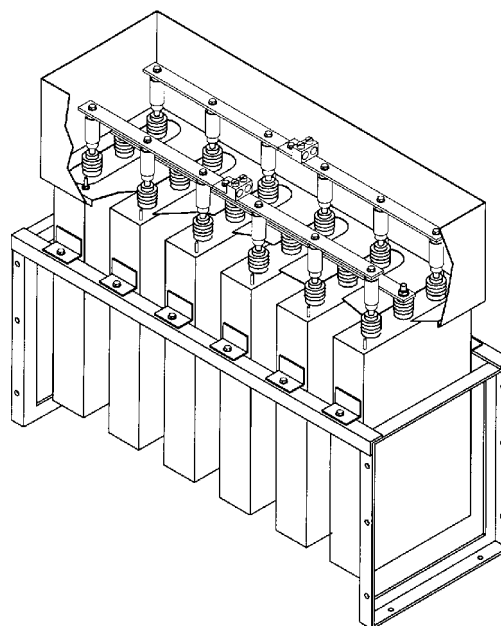
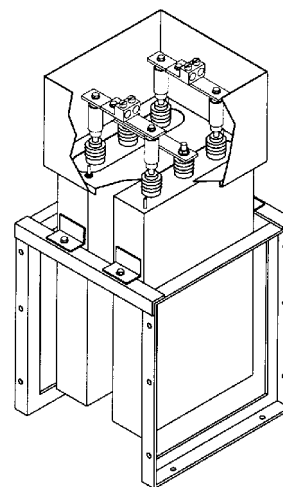
Operating temperatures between  $-40^{\circ}\text{C}$  and  $+46^{\circ}\text{C}$  ( $-40^{\circ}\text{F}$  to  $+115^{\circ}\text{F}$ ) are permissible. Operation at temperatures above  $+46^{\circ}\text{C}$  will shorten capacitor life.

### Bus Bar

Solid aluminum bus bars with electroplated aluminum connectors are provided for both internal and external interconnections. Phase connections on individual units incorporate an integral solderless connector on each fuse or terminal. Multiple units include properly sized electro-plated aluminum connectors securely bolted to the bus bar.

## Discharge Resistors

Each capacitor cell incorporates discharge resistors designed to reduce capacitor voltage to 50 volts or less within one minute after removal from an energized circuit, per NEC, NEMA, IEEE, UL, and CSA.



# ICS

180 KVAR maximum at 240 volts  
600 KVAR maximum at 480 and 600 volts

## ICS Indoor/Outdoor Gasketed Single Unit Capacitor Assemblies

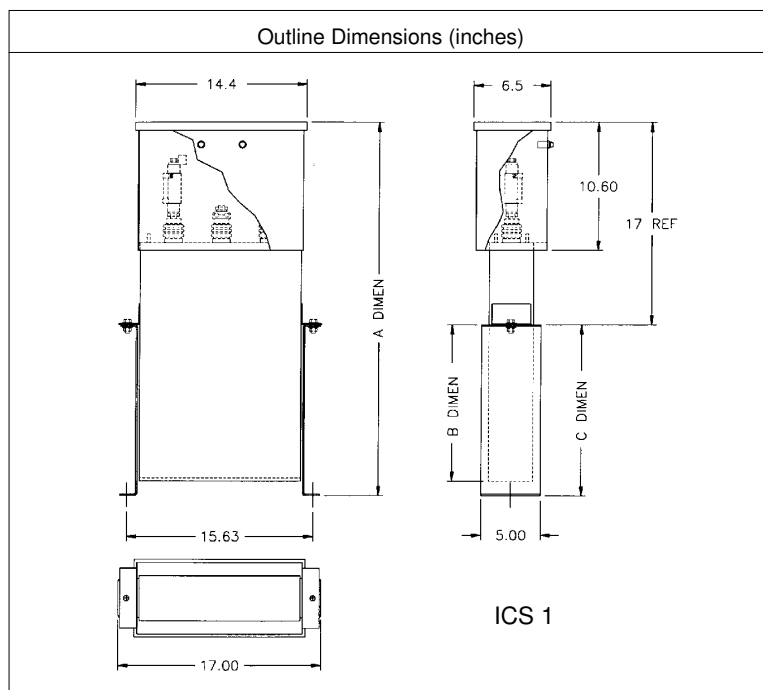
Volts	KVAR	Catalog No.	Approx. Weight (Lbs)	Dimensions (in)		
				A	B	C
240	5	ICS1005D333F	28	17.0	**	**
	10	ICS1010D333F	33	24.6	0.63	7.63
	15	ICS1015D333F	38	24.6	2.63	7.63
	20	ICS1020D333F	43	24.6	4.63	7.63
	25	ICS1025D333F	48	24.6	6.63	7.62
	30	ICS1030D333F	54	29.0	8.63	12.00
480	5	ICS1005F333F	25	17.0	**	**
	10	ICS1010F333F	28	17.0	**	**
	15	ICS1015F333F	30	17.0	*	*
	20	ICS1020F333F	33	24.6	0.63	7.63
	25	ICS1025F333F	35	24.6	1.63	7.63
	30	ICS1030F333F	38	24.6	2.63	7.63
	35	ICS1035F333F	40	24.6	4.63	7.63
	40	ICS1040F333F	43	24.6	4.63	7.63
	45	ICS1045F333F	45	24.6	6.63	7.63
	50	ICS1050F333F	48	24.6	6.63	7.63
	60	ICS1060F333F	54	29.0	8.63	12.00
	75	ICS1075F333F	61	29.0	11.63	12.00
	80	ICS1080F333F	67	37.5	12.63	20.50
	90	ICS1090F333F	70	37.5	13.13	20.50
100	ICS1100F333F	76	37.5	17.13	20.50	
600	10	ICS1010H333F	28	17.0	**	**
	15	ICS1015H333F	30	17.0	*	*
	20	ICS1020H333F	33	24.6	0.63	7.63
	25	ICS1025H333F	35	24.6	1.63	7.63
	30	ICS1030H333F	38	24.6	2.63	7.63
	35	ICS1035H333F	40	24.6	4.63	7.63
	40	ICS1040H333F	43	24.6	4.63	7.63
	45	ICS1045H333F	48	24.6	4.63	7.63
	50	ICS1050H333F	54	24.6	6.63	7.63
	60	ICS1060H333F	61	29.0	8.63	12.00
75	ICS1075H333F	67	29.0	11.63	12.00	
100	ICS1100H333F	76	37.5	17.13	20.50	

\* No optional floor bracket required.  
Capacitor bracket extends 0.38" below case.

\*\* No optional floor bracket required.  
Capacitor bracket extends 1.38" below case.

Note: Consult factory for single phase units.

- Notes: (1) For Loss-of-KVAR option, add suffix L to the catalog number, i.e. **ICS11003F333FL**  
 (2) For no fuses replace suffix 3F with NF, i.e. **ICS11003F33NF**  
 (3) For 208 volt application, use 240 volt capacitors. Multiply the 240 volt KVAR rating by 0.75 to obtain the 208 volt rating.



# ICS

180 KVAR maximum at 240 volts  
600 KVAR maximum at 480 and 600 volts

## ICS Indoor/Outdoor Gasketed Multiple Unit Capacitor Assemblies

Volts	KVAR	Catalog No.	Approx. Weight (Lbs)	Dimensions (in)	
				A	B
240	35	ICS2035D333F	117	29.3	12.25
	40	ICS2040D333F	122	29.3	12.25
	45	ICS2045D333F	127	29.3	12.25
	50	ICS2050D333F	133	29.3	12.25
	60	ICS2060D333F	143	29.3	12.25
	75	ICS3075D333F	181	29.3	12.25
	80	ICS3080D333F	186	29.3	12.25
	90	ICS3090D333F	197	29.3	12.25
	100	ICS4100D333F	229	29.3	12.25
	120	ICS4120D333F	250	29.3	12.25
	125	ICS5125D333F	278	29.3	12.25
	150	ICS5150D333F	304	29.3	12.25
	180	ICS6180D333F	357	29.3	12.25
	480	120	ICS2120F333F	143	29.3
125		ICS2125F333F	146	29.3	12.25
150		ICS2150F333F	158	29.3	12.25
175		ICS2175F333F	173	37.0	20.00
200		ICS2200F333F	187	37.0	20.00
225		ICS3225F333F	220	29.3	12.25
250		ICS3250F333F	234	37.0	20.00
275		ICS3275F333F	248	37.0	20.00
300		ICS3300F333F	263	37.0	20.00
325		ICS4325F333F	298	37.0	20.00
350		ICS4350F333F	309	37.0	20.00
375		ICS4375F333F	324	37.0	20.00
400		ICS4400F333F	338	37.0	20.00
425		ICS5425F333F	373	37.0	20.00
450		ICS5450F333F	385	37.0	20.00
475		ICS5475F333F	399	37.0	20.00
500		ICS5500F333F	414	37.0	20.00
600		525	ICS6525F333F	449	37.0
	550	ICS6550F333F	460	37.0	20.00
	575	ICS6575F333F	475	37.0	20.00
	600	ICS6600F333F	489	37.0	20.00
	120	ICS2120H333F	143	29.3	12.25
	125	ICS2125H333F	146	29.3	12.25
	150	ICS2150H333F	158	29.3	12.25
	175	ICS2175H333F	173	37.0	20.00
	200	ICS2200H333F	187	37.0	20.00
	225	ICS3225H333F	220	29.3	12.25
	250	ICS3250H333F	234	37.0	20.00
	275	ICS3275H333F	248	37.0	20.00
	300	ICS3300H333F	263	37.0	20.00
	325	ICS4325H333F	298	37.0	20.00
	350	ICS4350H333F	309	37.0	20.00
	375	ICS4375H333F	324	37.0	20.00
	400	ICS4400H333F	338	37.0	20.00
	425	ICS5425H333F	373	37.0	20.00
450	ICS5450H333F	385	37.0	20.00	
475	ICS5475H333F	399	37.0	20.00	
500	ICS5500H333F	414	37.0	20.00	
525	ICS6525H333F	449	37.0	20.00	
550	ICS6550H333F	460	37.0	20.00	
575	ICS6575H333F	475	37.0	20.00	
600	ICS6600H333F	489	37.0	20.00	

