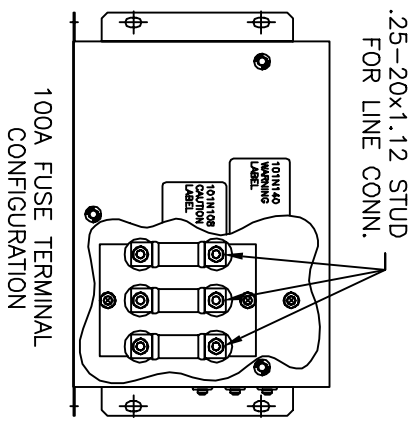
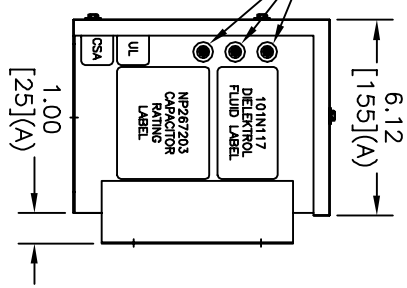
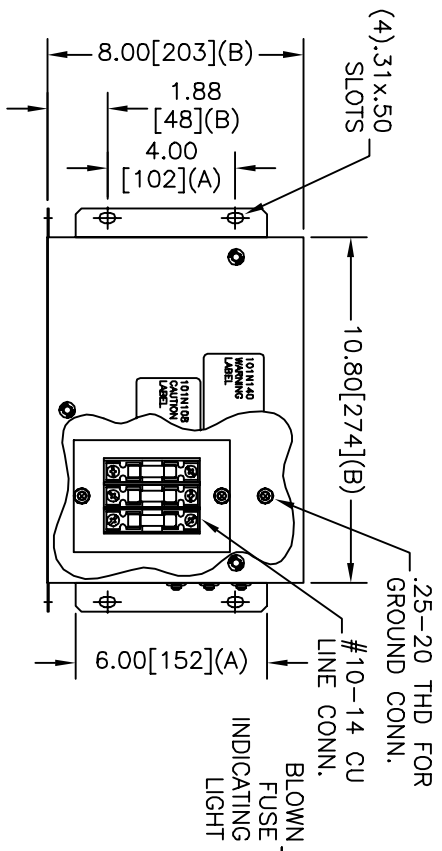
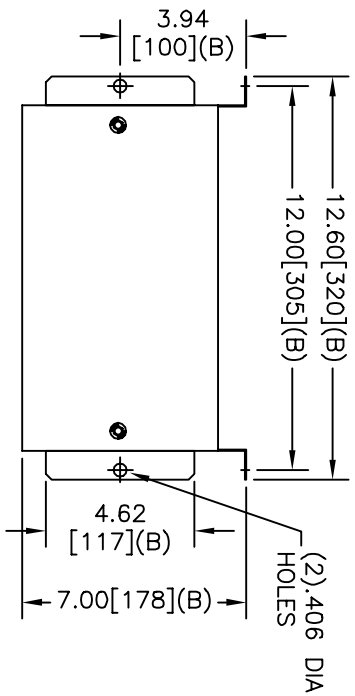


SIZE	DWG NO	SHT	REV
A		1	
REV	DESCRIPTION	DATE	APPROVED

AVAILABLE RATINGS:

- 1-12.5 KVAR 240V 60HZ 1PH
- 1-12.5 KVAR 240V 60HZ 3PH DELTA CONN.
- 1-25 KVAR 480V 60HZ 1PH
- 1-25 KVAR 480V 60HZ 3PH DELTA CONN.
- 1-25 KVAR 600V 60HZ 3PH WYE CONN.



TYPICAL 3PH 3 FUSE ASSEMBLY SHOWN WITH INDICATING LIGHTS

TOL	+/-
A	.06
B	.12
C	.18
D	.25

Ultra-var™

POWER FACTOR CORRECTION
FORT EDWARD, N.Y., U.S.A.

DRAWN	B. ROSS	DATE	MAY 12, 2003
ISSUED		DATE	

SIZE
A

SCALE

OUTLINE DRAWING

GMP1

SHEET	1	CONT	—
ON			

DISTR. TO