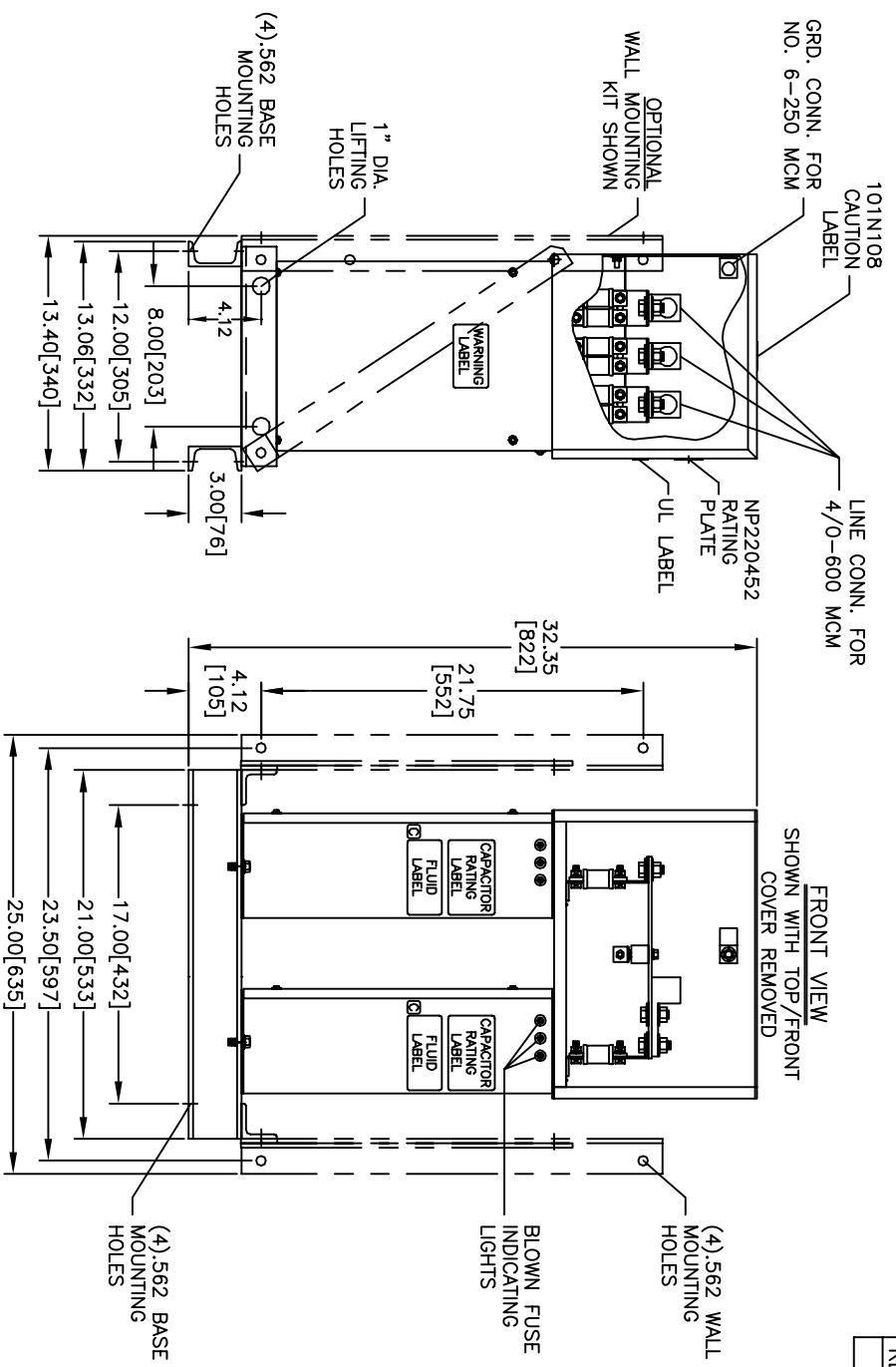
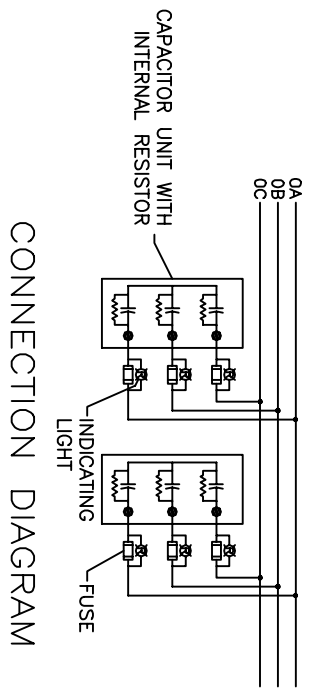


SIZE	DWG NO	SHT	REV
A	GMP4	1	
REV	DESCRIPTION	DATE	APPROVED



**AVAILABLE RATINGS:**

55-100 KVAR 240V 60HZ 1PH  
 55-100 KVAR 240V 60HZ 3PH DELTA CONN.  
 110-200 KVAR 480V 60HZ 1PH  
 110-200 KVAR 480V 60HZ 3PH DELTA CONN.  
 110-200 KVAR 600V 60HZ 3PH WYE CONN.



CONNECTION DIAGRAM

TYPICAL 3PH 3 FUSE ASSEMBLY SHOWN WITH INDICATING LIGHTS

		POWER FACTOR CORRECTION		SIZE	OUTLINE GMP4
		FORT EDWARD, N.Y., U.S.A.		A	
DRAWN	B. ROSS	DATE	MAY 12, 2003	SCALE	SHEET 1
ISSUED		DATE			CONT ON -

DISTR. TO