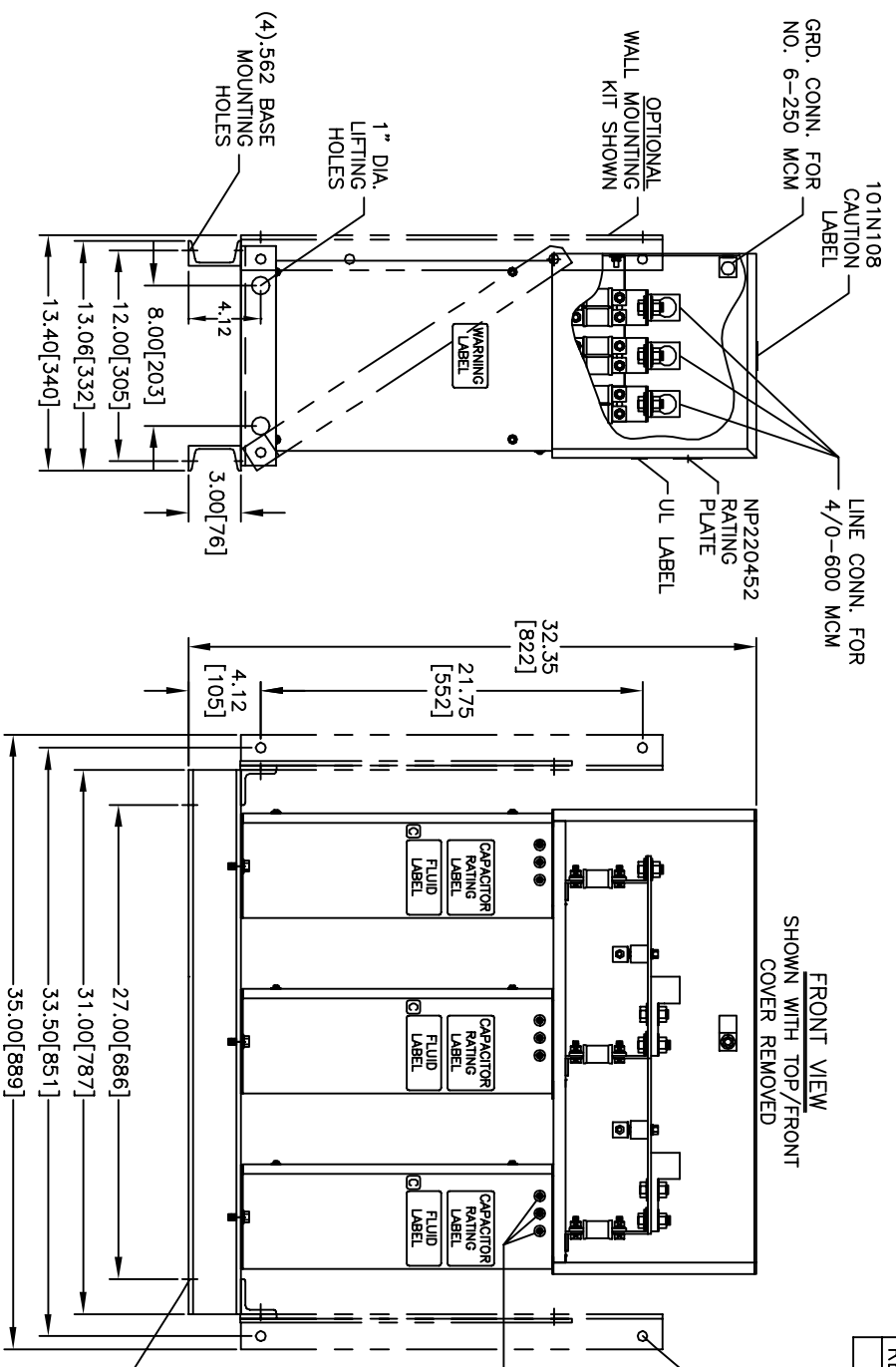
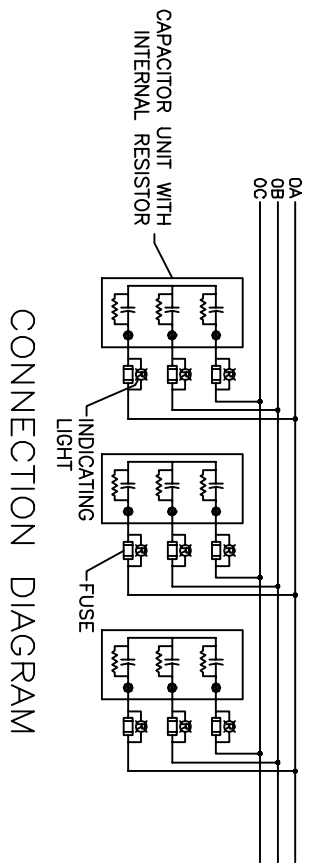


SIZE	DWG NO	SHT	REV
A	GMP4	1	
REV	DESCRIPTION	DATE	APPROVED



AVAILABLE RATINGS:

110-150 KVAR 240V 60HZ 1PH
 110-150 KVAR 240V 60HZ 3PH DELTA CONN.
 210-300 KVAR 480V 60HZ 1PH
 210-300 KVAR 480V 60HZ 3PH DELTA CONN.
 210-300 KVAR 600V 60HZ 3PH WYE CONN.



CONNECTION DIAGRAM

TYPICAL 3PH 3 FUSE ASSEMBLY SHOWN WITH INDICATING LIGHTS

UltraVar™		POWER FACTOR CORRECTION FORT EDWARD, N.Y., U.S.A.		SIZE	A		OUTLINE GMP5	
DRAWN	B. ROSS	DATE	MAY 12, 2003	SCALE			SHEET	1
ISSUED		DATE					CONT	—