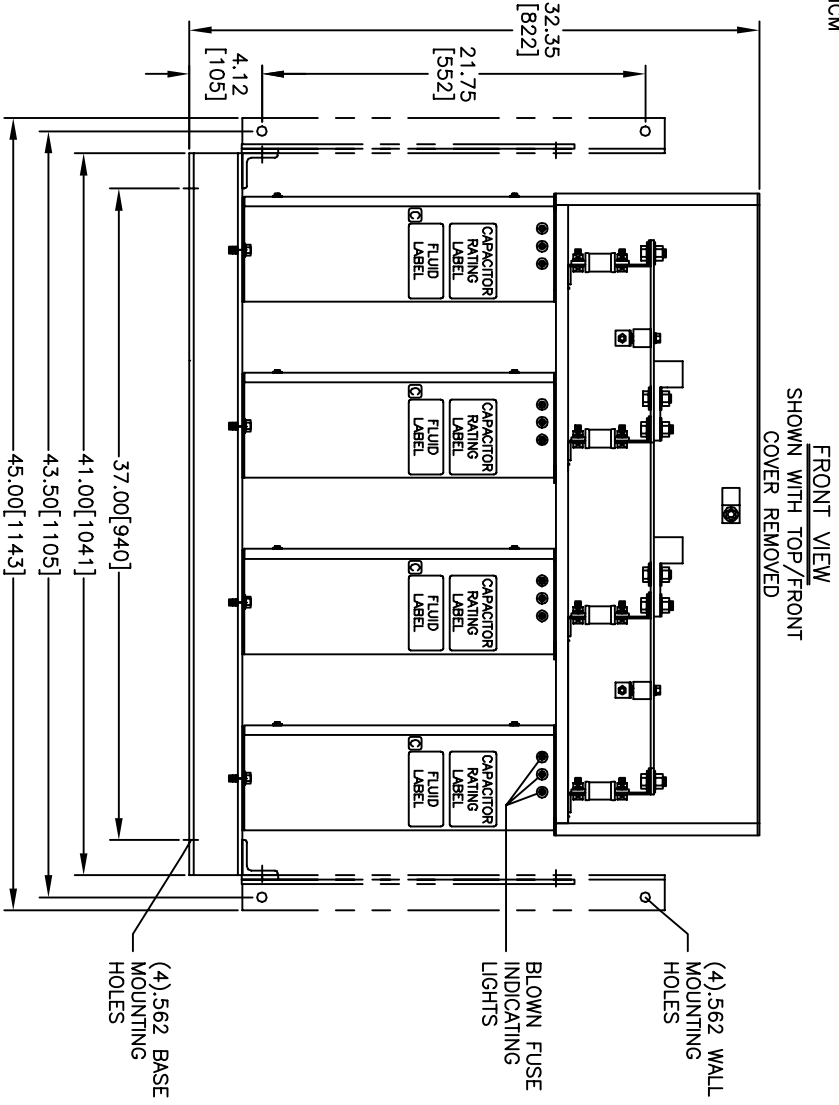
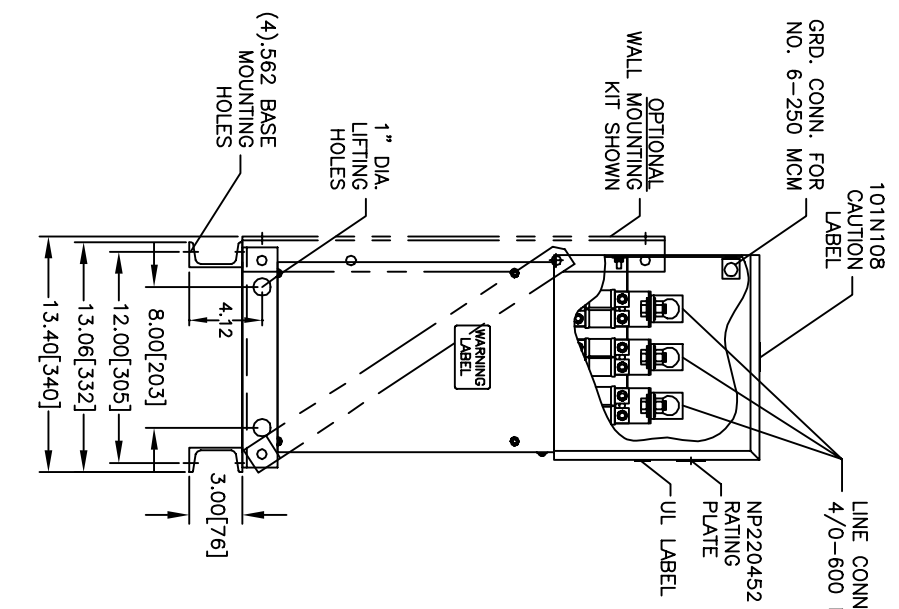
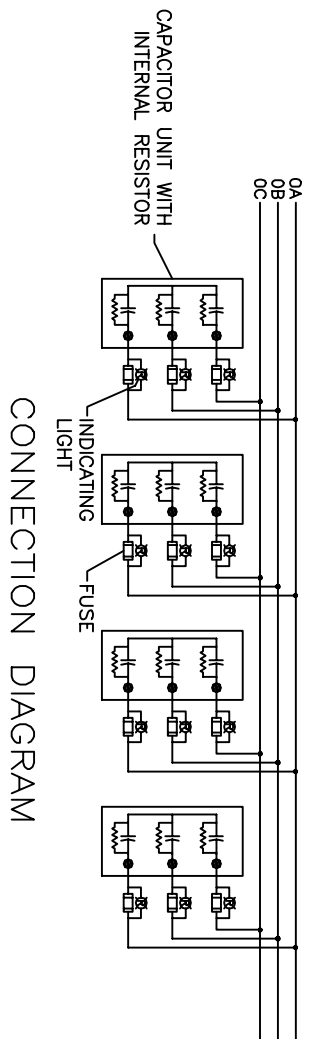


SIZE	DWG NO	SHT	REV
A	GMP4	1	
REV	DESCRIPTION	DATE	APPROVED



AVAILABLE RATINGS:

160-200 KVAR 240V 60HZ 1PH
 160-200 KVAR 240V 60HZ 3PH DELTA CONN.
 325-400 KVAR 480V 60HZ 1PH
 325-400 KVAR 480V 60HZ 3PH DELTA CONN.
 325-400 KVAR 600V 60HZ 3PH WYE CONN.



CONNECTION DIAGRAM

TYPICAL 3PH 3 FUSE ASSEMBLY SHOWN WITH INDICATING LIGHTS

UltraVar™		POWER FACTOR CORRECTION		SIZE	OUTLINE	
FORT EDWARD, N.Y., U.S.A.		DATE MAY 12, 2003		A	GMP6	
DRAWN	B. ROSS	DATE	MAY 12, 2003	SCALE	SHEET	CONT
ISSUED					1	—

DISTR. TO