

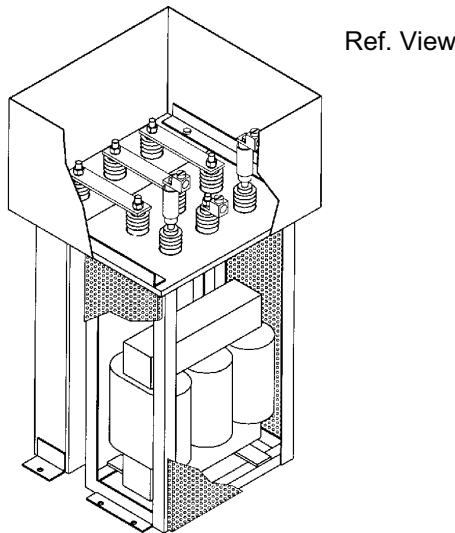
# HSICS

## Fixed Power Factor Correction Capacitor System Tuned for Harmonic Suppression

### Application

The proliferation of electronic equipment used to improve efficiencies and provide more reliable performance causes harmonics on power systems. Equipment such as variable speed AC and DC drives, uninterruptible power supplies, switch mode power supplies and other solid state controls or devices inject non linear components into what was a linear system. The application of power factor correction capacitor systems can create unwanted increases in harmonic voltage and current unless the capacitors are properly applied with reactors, in series with the capacitor, to suppress harmful harmonics.

Ultravar's line of fixed, harmonically suppressed capacitors permits the installation of power factor correction capacitors on systems with non-linear components. The HSICS system can be tuned to any desired frequency but is normally tuned for the fifth harmonic.



**50 KVAR maximum at 240 volts**  
**200 KVAR maximum at 480 and 600 volts**

### Design

The installation of this system is application specific. Contact your local, trained representative or Ultravar's Application Engineering Department to ensure the proper combination of capacitors and reactors are used. Misapplication may result without proper guidance.

Typical assemblies are presented below. Consult factory for other application specific assemblies.

#### HSICS - Harmonic Suppression Capacitor Assemblies

Volts	KVAR	Catalog No.	Figure	Estimated Weight (Lbs)	Dimension A (in)
240	30	HSICS1030D333F	1	148	28.63
	35	HSICS2035D333F	2	185	28.63
	40	HSICS2040D333F	2	198	28.63
	45	HSICS2045D333F	2	214	28.63
	50	HSICS2050D333F	2	224	28.63
480	25	HSICS1025F333F	1	138	28.63
	30	HSICS1030F333F	1	169	28.63
	40	HSICS1040F333F	1	175	28.63
	50	HSICS1050F333F	1	181	28.63
	75	HSICS1075F333F	1	214	28.63
	80	HSICS1080F333F	1	218	28.63
	100	HSICS1100F333F	1	264	34.13
	120	HSICS2120F333F	2	334	28.63
	125	HSICS2125F333F	2	335	28.63
	140	HSICS2140F333F	2	352	28.63
600	150	HSICS2150F333F	2	366	28.63
	175	HSICS2175F333F	2	418	34.13
	200	HSICS2200F333F	2	465	34.13
	25	HSICS1025H333F	1	138	28.63
	30	HSICS1030H333F	1	169	28.63
	40	HSICS1040H333F	1	174	28.63
	50	HSICS1050H333F	1	178	28.63
	75	HSICS1075H333F	1	206	28.63
	80	HSICS1080H333F	1	216	28.63
	100	HSICS1100H333F	1	256	34.13
	120	HSICS2120H333F	2	334	28.63
	125	HSICS2125H333F	2	335	28.63
	140	HSICS2140H333F	2	352	28.63
150	HSICS2150H333F	2	366	28.63	
175	HSICS2175H333F	2	418	34.13	
200	HSICS2200H333F	2	451	34.13	

Note: Consult factory for larger KVAR values.

For blown fuse lights add suffix L, i.e. **HSICS1003F333FL**

