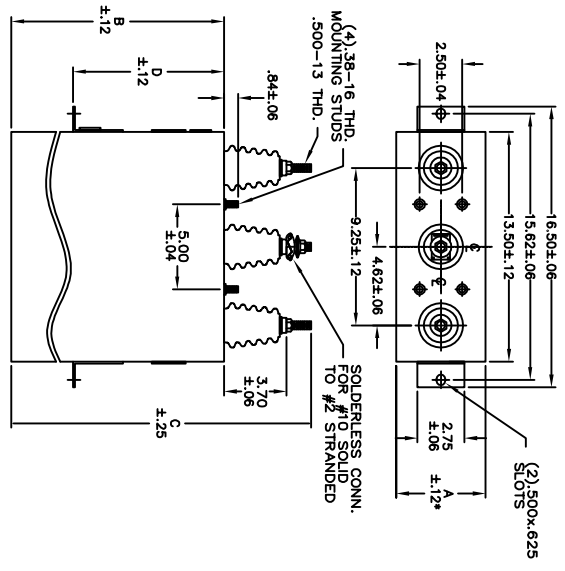


DWG. NO. 49985-0040 REV. D

LTR	REVISION	BY	DATE	APPR
D	ADD SHEET 2	ELMSNN		



* UP TO +.50 CASE BULGE

- NOTES:
- BRACKET MOUNTING HOLES ARE 0.50X0.62 SLOTS
 - CAPACITOR MAY BE WALL OR CEILING MOUNTED WITH BRACKETS BY OTHERS.
 - FUSE INTERRUPT RATING 50 KAIC
 - THREE PHASE FUSING AVAILABLE AS AN OPTION
 - INDOOR/OUTDOOR CASKETED WIRING HOOD
 - FINISH ANSI 70 GRAY
 - ADD "C" TO CAT. NO. FOR CSA TESTED EQUIPMENT

KVAR	CAT. NO.	2400 VOLTS				WT (LBS)
		A (M)	B (M)	C (M)	D (M)	
25	52L301WS60	4.00	7.50	12.70	7.50	23
50	51L301WS60	4.00	7.50	12.70	7.50	23
75	51L304WS60	4.00	7.50	12.70	7.50	23
100	54L303WS60	4.00	9.25	14.45	9.25	28
125	54L306WS60	4.38	10.00	15.20	9.25	35
150	54L308WS60	4.00	12.50	17.70	9.25	40
175	54L317WS60	4.38	13.18	18.38	9.25	45
200	58L302WS60	4.88	13.18	18.38	9.25	51
225	16L0153WS3	5.12	15.88	21.08	15.00	61
250	16L0154WS3	5.12	15.88	21.08	15.00	61
275	16L0155WS3	5.12	18.88	24.08	15.00	73

KVAR	CAT. NO.	4160 VOLTS				WT (LBS)
		A (M)	B (M)	C (M)	D (M)	
25	52L302WS60	4.00	7.50	12.70	7.50	23
50	51L302WS60	4.00	7.50	12.70	7.50	23
75	51L305WS60	4.00	7.50	12.70	7.50	23
100	54L304WS60	4.00	9.25	14.45	9.25	28
125	54L307WS60	4.50	10.00	15.20	9.25	35
150	54L309WS60	4.25	12.50	17.70	9.25	40
175	54L313WS60	4.50	13.18	18.38	9.25	45
200	58L303WS60	5.12	13.18	18.38	9.25	51
225	16L0156WS3	5.12	15.88	21.08	15.00	61
250	16L0157WS3	5.12	15.88	21.08	15.00	61
275	16L0158WS3	5.12	18.88	24.08	15.00	73
300	16L0159WS3	5.12	18.88	24.08	15.00	73

KVAR	CAT. NO.	4800 VOLTS				WT (LBS)
		A (M)	B (M)	C (M)	D (M)	
25	52L303WS60	4.00	7.50	12.70	7.50	23
50	51L303WS60	4.00	7.50	12.70	7.50	23
75	51L306WS60	4.00	7.50	12.70	7.50	23
100	54L305WS60	4.00	9.25	14.45	9.25	30
125	54L310WS60	4.50	10.00	15.20	9.25	35
150	54L403WS60	4.00	12.50	17.70	9.25	40
175	54L311WS60	4.38	13.18	18.38	9.25	45
200	58L424WS60	4.88	13.18	18.38	9.25	51
225	16L0160WS3	5.12	15.88	21.08	15.00	61
250	16L0161WS3	5.12	15.88	21.08	15.00	61
275	16L0162WS3	5.12	18.88	24.08	15.00	73
300	16L0163WS3	5.12	18.88	24.08	15.00	73

UNLESS OTHERWISE SPECIFIED DRAWN BY: Rfontaine 4/12/95

DRAWING IN INCHES CHECKED BY: APPROVED BY:

FRACTIONS ± USED ON MED VOLTAGE - 60KV/11

ANGLES ± SCALE THIRD ANGLE PROJECTION

DWG. NO. 49985-0040 SHEET 1 OF 2

REV. D

DISTR TO A114

